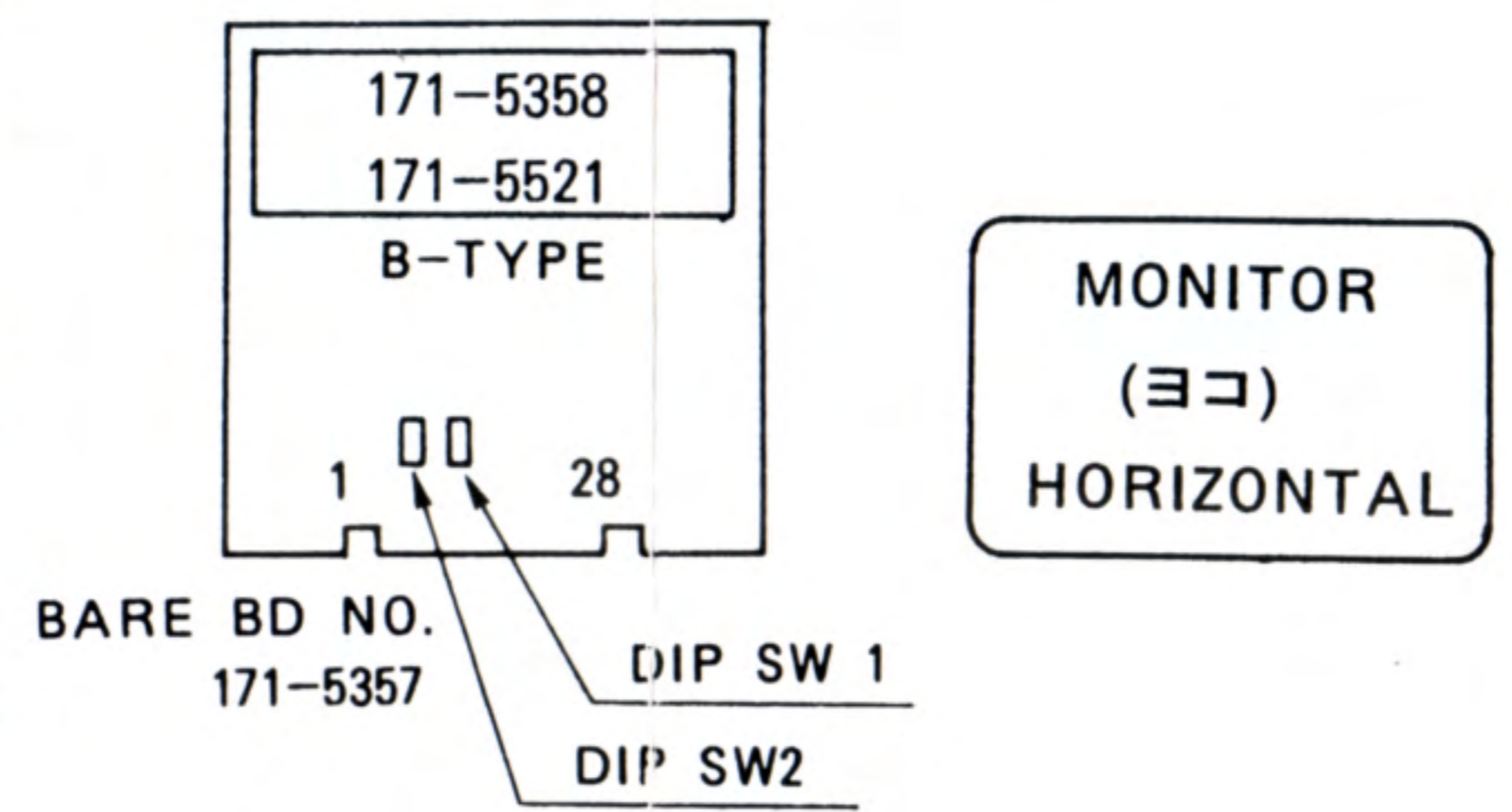
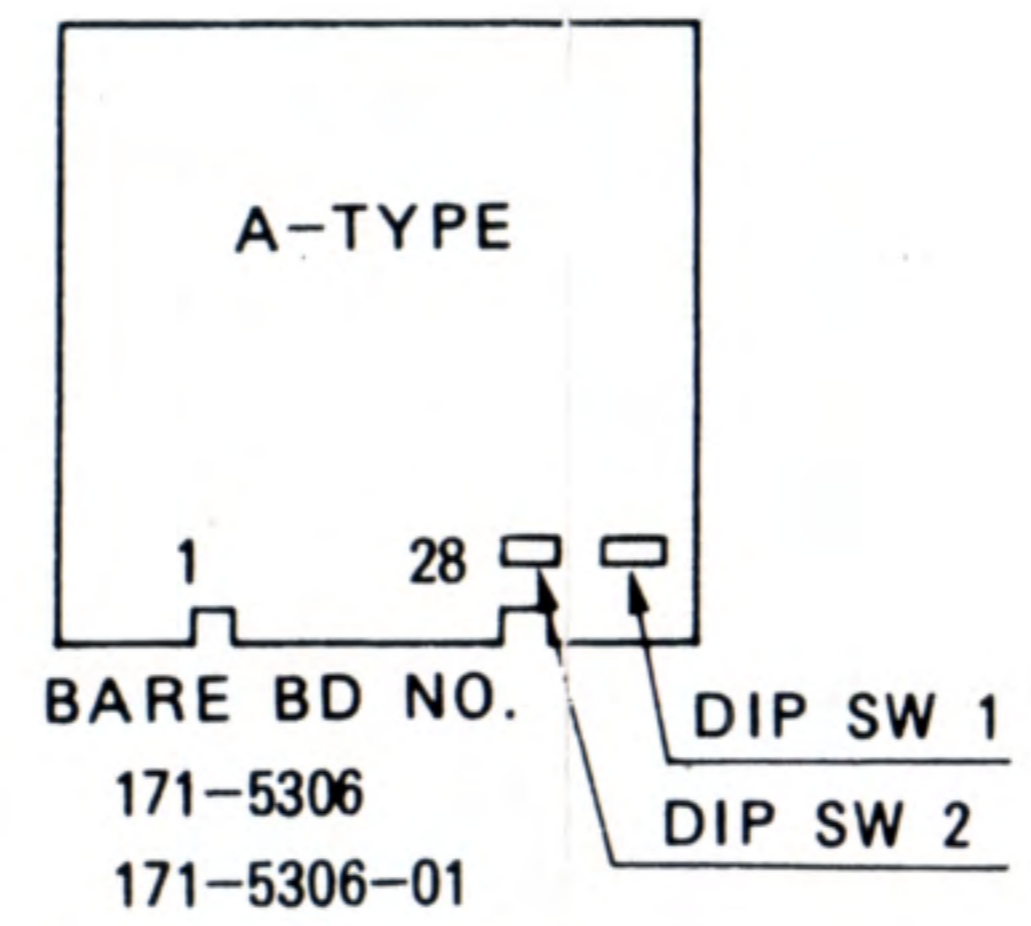


MONSTER LAIR (834-6851~) (833-6851~)

| COIN/CREDIT OPTION SWITCH SETTING | | DIP SW #1 | | | | | | | |
|-----------------------------------|-----------|------------|-----|-----|-----|------------|-----|-----|-----|
| OPTION | | 1 | 2 | 3 | 4 | 5 | 6 | 7 | 8 |
| 1 COIN | 1 CREDIT | OFF | OFF | OFF | OFF | OFF | OFF | OFF | OFF |
| 1 COIN | 2 CREDITS | ON | OFF | OFF | OFF | ON | OFF | OFF | OFF |
| 1 COIN | 3 CREDITS | OFF | ON | OFF | OFF | OFF | ON | OFF | OFF |
| 1 COIN | 4 CREDITS | ON | ON | OFF | OFF | ON | ON | OFF | OFF |
| 1 COIN | 5 CREDITS | OFF | OFF | ON | OFF | OFF | OFF | ON | OFF |
| 1 COIN | 6 CREDITS | ON | OFF | ON | OFF | ON | OFF | ON | OFF |
| 2 COINS | 1 CREDIT | OFF | ON | ON | OFF | OFF | ON | ON | OFF |
| 3 COINS | 1 CREDIT | ON | ON | ON | OFF | ON | ON | ON | OFF |
| 4 COINS | 1 CREDIT | OFF | OFF | OFF | ON | OFF | OFF | OFF | ON |
| 2 COINS | 3 CREDITS | ON | OFF | OFF | ON | ON | OFF | OFF | ON |
| 2 COINS | 1 CREDIT | OFF | ON | OFF | ON | OFF | ON | OFF | ON |
| 4 COINS | 2 CREDITS | OFF | ON | OFF | ON | OFF | ON | OFF | ON |
| 5 COINS | 3 CREDITS | OFF | ON | OFF | ON | OFF | ON | OFF | ON |
| 6 COINS | 4 CREDITS | OFF | ON | OFF | ON | OFF | ON | OFF | ON |
| 1 COIN | 1 CREDIT | OFF | OFF | ON | ON | OFF | OFF | ON | ON |
| 2 COINS | 2 CREDITS | OFF | OFF | ON | ON | OFF | OFF | ON | ON |
| 3 COINS | 3 CREDITS | OFF | OFF | ON | ON | OFF | OFF | ON | ON |
| 4 COINS | 4 CREDITS | OFF | OFF | ON | ON | OFF | OFF | ON | ON |
| 5 COINS | 6 CREDITS | OFF | OFF | ON | ON | OFF | OFF | ON | ON |
| 1 COIN | 1 CREDIT | OFF | ON | ON | ON | OFF | ON | ON | ON |
| 2 COINS | 3 CREDITS | OFF | ON | ON | ON | OFF | ON | ON | ON |
| FREE PLAY | | ON | ON | ON | ON | ON | ON | ON | ON |
| | | COIN SW #1 | | | | COIN SW #2 | | | |

| OPTION SWITCH SETTING | | DIP SW #2 | | | | | | | |
|-----------------------|---------|-----------|-----|-----|-----|-----|-----|-----|---|
| OPTION | | 1 | 2 | 3 | 4 | 5 | 6 | 7 | 8 |
| NOT USED | | OFF | | | | | | | |
| ADVERTISE SOUND | OFF | | OFF | | | | | | |
| | ON | | ON | | | | | | |
| NUMBER OF PLAYERS | 3 | | | OFF | OFF | | | | |
| | 4 | | | ON | OFF | | | | |
| | 5 | | | OFF | ON | | | | |
| | 2 | | | ON | ON | | | | |
| EXTRA PLAYER | EXTBL 1 | | | | | OFF | | | |
| | EXTBL 2 | | | | | ON | | | |
| GAME DIFFICULTY | NORMAL | | | | | | OFF | | |
| | HARD | | | | | | ON | | |
| TEST PLAY MODE | OFF | | | | | | | OFF | |
| | ON | | | | | | | ON | |



- ※ TEST PLAY MODE (USER DON'T USE)
(PLAYERが無敵でラウンドセレクト可能)
- ※ GAME DIFFICULTY
HARD: ALL ENEMY HIT POINT-NORMAL×1.5

※ EXTRA PLAYER

| | | EXTBL 1 | | EXTBL 2 | |
|-----|----|---------|-----|---------|-----|
| OFF | | 50,000 | PTS | 50,000 | PTS |
| | ON | 100,000 | PTS | 150,000 | PTS |
| | | 180,000 | PTS | 300,000 | PTS |
| | | 300,000 | PTS | | |

| PIN ASSIGNMENT | |
|----------------|------------------|
| COMPONENT SIDE | SOLDER SIDE |
| GND | 1 A GND |
| GND | 2 B GND |
| +5V | 3 C +5V |
| +5V | 4 D +5V |
| +12V | 5 E +12V |
| COIN METER 1 | 6 F COIN METER 2 |
| (NOT USED) | 7 H (NOT USED) |
| (NOT USED) | 8 J (NOT USED) |
| 1P SHOT | 9 K 2P SHOT |
| 1P JUMP | 10 L 2P JUMP |
| (NOT USED) | 11 M (NOT USED) |
| 1P DOWN | 12 N 2P DOWN |
| 1P UP | 13 P 2P UP |
| 1P RIGHT | 14 R 2P RIGHT |
| 1P LEFT | 15 S 2P LEFT |
| (NOT USED) | 16 T (NOT USED) |
| (NOT USED) | 17 U (NOT USED) |
| (NOT USED) | 18 V (NOT USED) |
| (NOT USED) | 19 W (NOT USED) |
| COIN 1 | 20 X 1P START |
| COIN 2 | 21 Y 2P START |
| TEST | 22 Z (NOT USED) |
| SERVICE | 23 a (NOT USED) |
| SPEAKER (+) | 24 b SPEAKER(-) |
| RED | 25 c GREEN |
| BLUE | 26 d CMP. SYNC |
| GND | 27 e GND |
| GND | 28 f GND |

56P P:3.96mm

